

Product Information

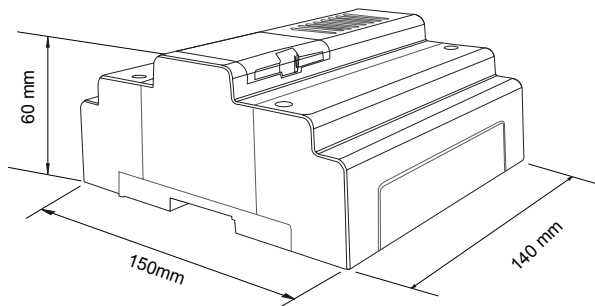
DT Accessories DT-IPC



DESCRIPTION

2-wire system IP converter

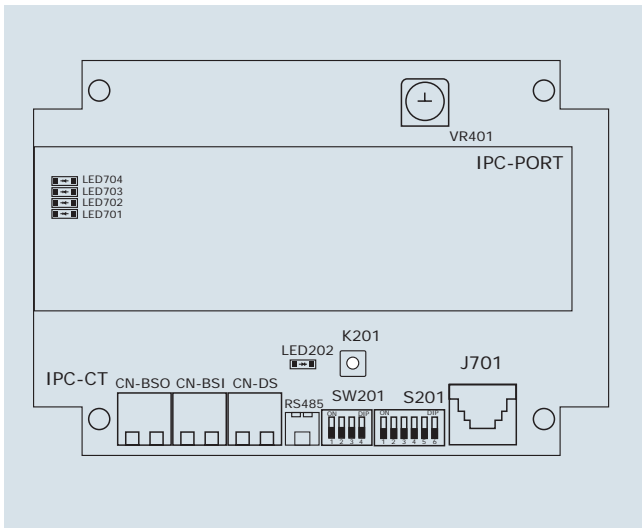
DIMENSION



FEATURES

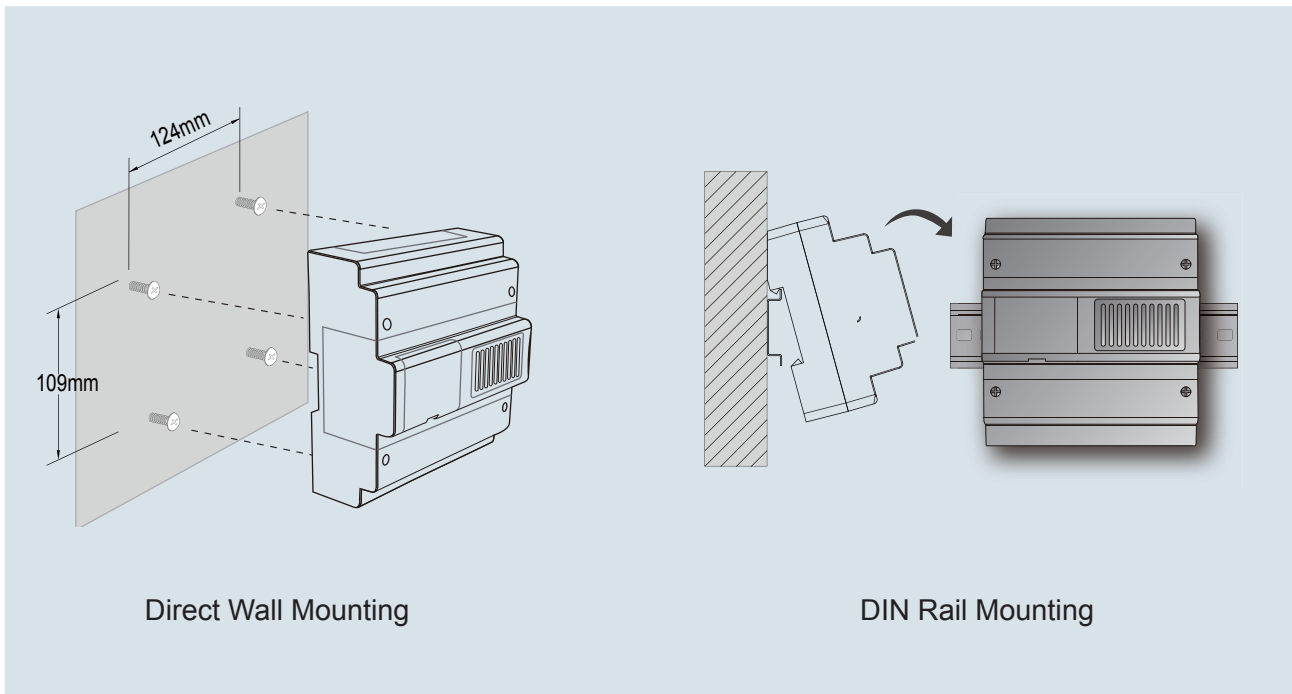
- ▶ Only one DT-IPC is required in one block.
- ▶ Built-in watchdog circuit in case of crash.
- ▶ LED Indicators to show system status
- ▶ RJ45 Standard connection port
- ▶ IP address setting & store
- ▶ Talking volume adjustable
- ▶ Support TCP/IP network and fiber transmission or broadhand network access.
- ▶ Adopt MPEG4 video protocol and G.729 audio protocol.
- ▶ Include 100Mbit Ethernet LAN and RS485 connection port.

1. Parts and Functions



- **LED202**: Power on for 10s, it will flicker
- **LED701**: Network connection indicator
- **LED702**: Audio indicator
- **LED703**: Video indicator
- **LED704**: Communication indicator
- **SW201**: DIP switches
- **S201**: DIP switches
- **J701**: RJ45 connection port, connected to LAN
- **CN-BSO**: 2 wire terminal connection, output port
- **CN-BSI**: 2 wire terminal connection, input port
- **CN-DS**: Connected to door station
- **K201**: Reserve
- **VR401**: Adjust the volume
- **RS485**: Set parameters of DT-IPC by PC that is connected by RS485-USB Converter

2. Unit Mounting



3. Specification

- * Power Supply : DC 24V;
- * Power Consumption: Standby 158mA; Working status 250mA;
- * Network Interface: Standard Ethernet interface;
- * Connection Port: RJ45;
- * Temperature: -10°C~+40°C;
- * Wiring: 2 wires (non-polarity);
- * Dimension: 138(H)×151(W)×66(D)mm

4. Ordering Information

Model No.	Brief Description	Remark
DT-IPC	IP Converter	IP network solution

5. Packing Information



Dimensions: 153(H) X148(W) X68(D) mm

Gross Weight: 0.5Kg



Carton: 495(H) X403(W) X310(D) mm

Quantity: 30PCS